

SOLAR WATER HEATER

Name of customer :

Address :

Telephone number :

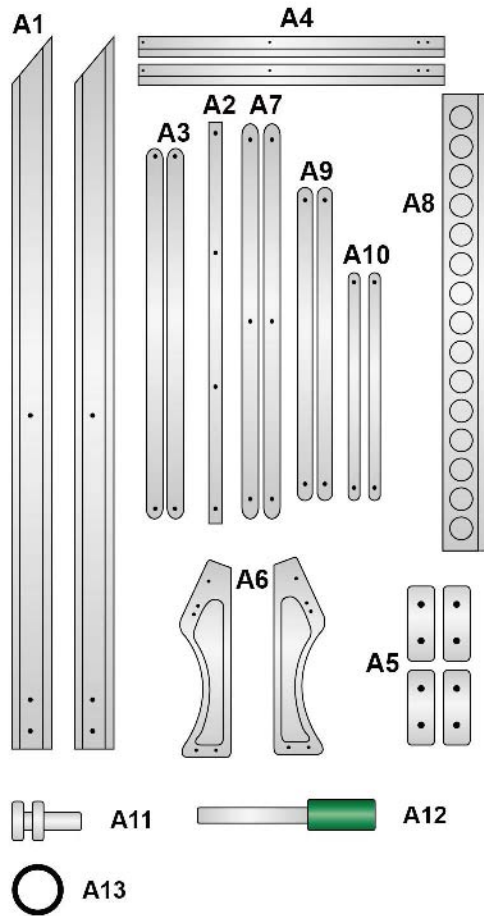
Address :

SOLAR WATER HEATER

MANUAL(Non pressurized)



PARTS OF YOUR SOLAR WATER HEATER

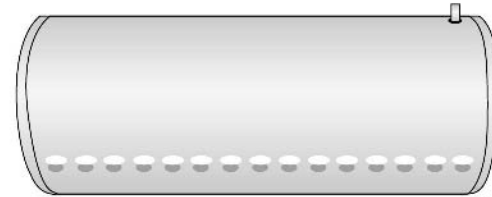


Clave	Descripcion	Cantidad
A-1	Fore leg	2
A-2	Connecting brace	1
A-3	Cross brace	2
A-4	Hind leg	2
A-5	Wind feet	4
A-6	Tank holder	2
A-7	Scissors brace	2
A-8	Tube holder	1
A-9	Sideway brace	2
A-10	Butterfly brace	2
A-11	Screw&nuts	8-16
A-12	Magnesium bar	1
A-13	Dust ring for tubes	8-36

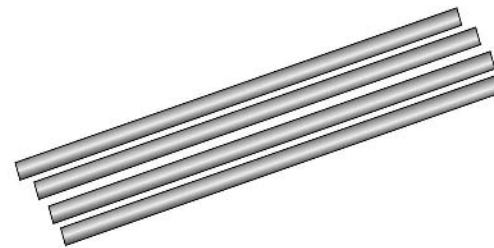
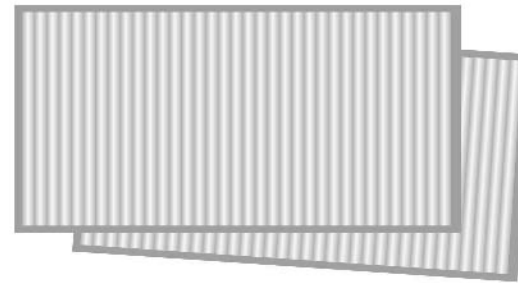
Note:

1. You must take into account that there are left and right pieces.
2. The number of pieces varies according to your heater model.

PARTS OF YOUR SOLAR WATER HEATER



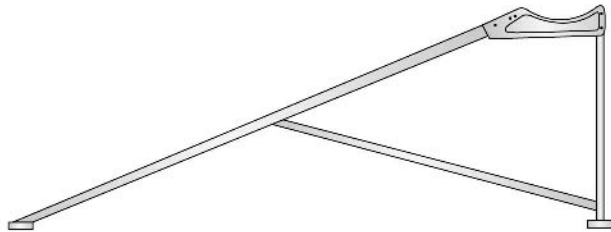
No.	Descripcion	QTY
B-1	Water tank	1
B-2	Reflectors	0-4
B-3	Glass tubes	8-36



Note:

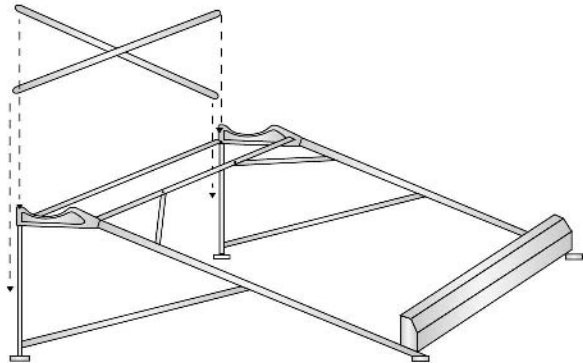
- Handle tubes with care as they are very fragile.

ASSEMBLING YOUR SOLAR WATER HEATER



Step 1

Assemble the legs of the main frame as shown in picture 1.1 and repeat the steps as many times as necessary according to the model of your heater.



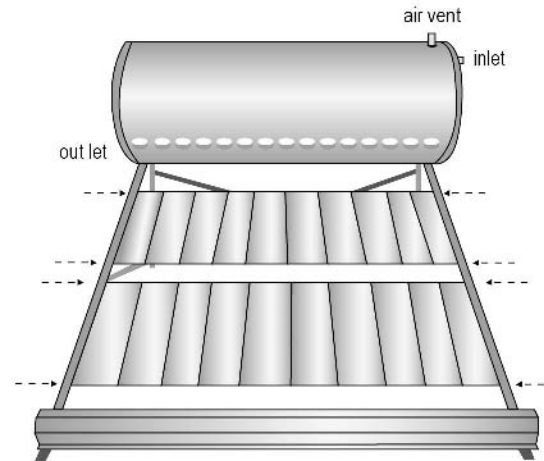
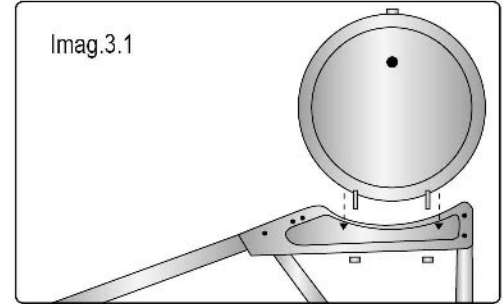
Step 2

Screw the braces to the legs as shown in picture 2.1 and place the tube holder and screw them all tightly.

Step 3

Place the tank on the tank holder and screw.

Imag.3.1

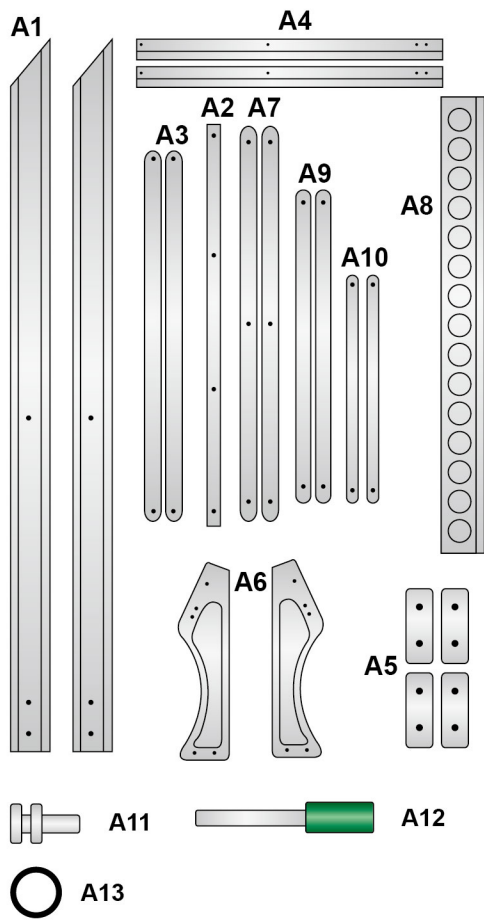


Imag.4.1

Step 4

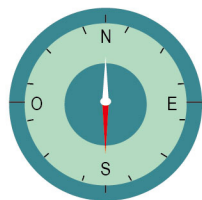
Position the reflectors as shown in picture 4.1 and screw. If there is no reflector, please ignore this step. Then place the tube holders as picture 4.2

PARTS OF YOUR SOLAR WATER HEATER



Clave	Descripcion	Cantidad
A-1	Fore leg	2
A-2	Connecting brace	1
A-3	Cross brace	2
A-4	Hind leg	2
A-5	Wind feet	4
A-6	Tank holder	2
A-7	Scissors brace	2
A-8	Tube holder	1
A-9	Sideway brace	2
A-10	Butterfly brace	2
A-11	Screw&nuts	8-16
A-12	Magnesium bar	1
A-13	Dust ring for tubes	8-36

Note:
 1. You must take into account that there are left and right pieces.
 2. The number of pieces varies according to your heater model.



Step 7
 Level your heater, and position it towards the geographically north or South, to get the maximum benefit from the sun rays.